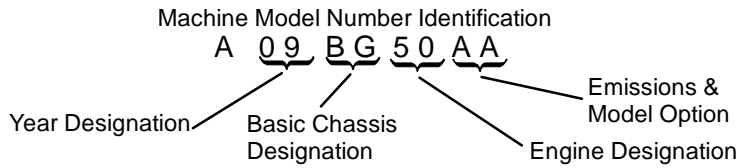




**MODEL IDENTIFICATION**

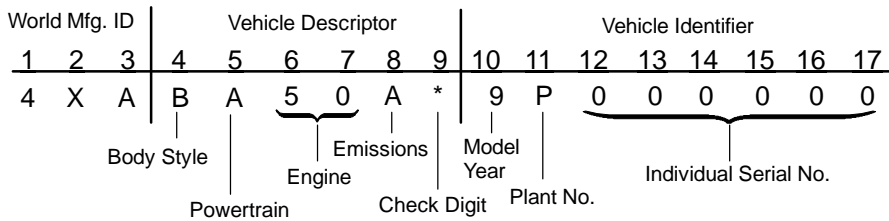
The machine model number must be used with any correspondence regarding warranty or service.



**ENGINE DESIGNATION NUMBERS**

EH500PLE ..... Single, Liquid Cooled, SOHC 4 Stroke, Electric Start

**VIN IDENTIFICATION**



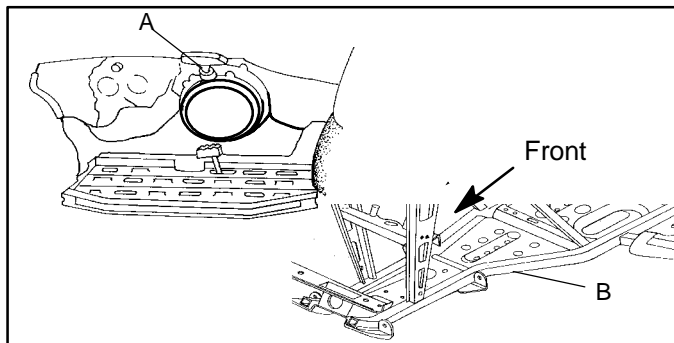
\* This could be either a number or a letter

**ENGINE SERIAL NUMBER LOCATION**

Whenever corresponding about a vehicle, be sure to refer to the engine model number and serial number. This information can be found on the sticker applied to the recoil housing on the right side of engine.(A) An additional number is stamped on the center top of crankcase beneath the cylinder coolant elbow.

**UNIT MODEL NUMBER AND SERIAL NUMBER LOCATION**

The machine model number and serial number are important for vehicle identification. The machine serial number is stamped on the lower left side of the frame tube.(B)



**TRANSMISSION I.D. NUMBER LOCATION**

