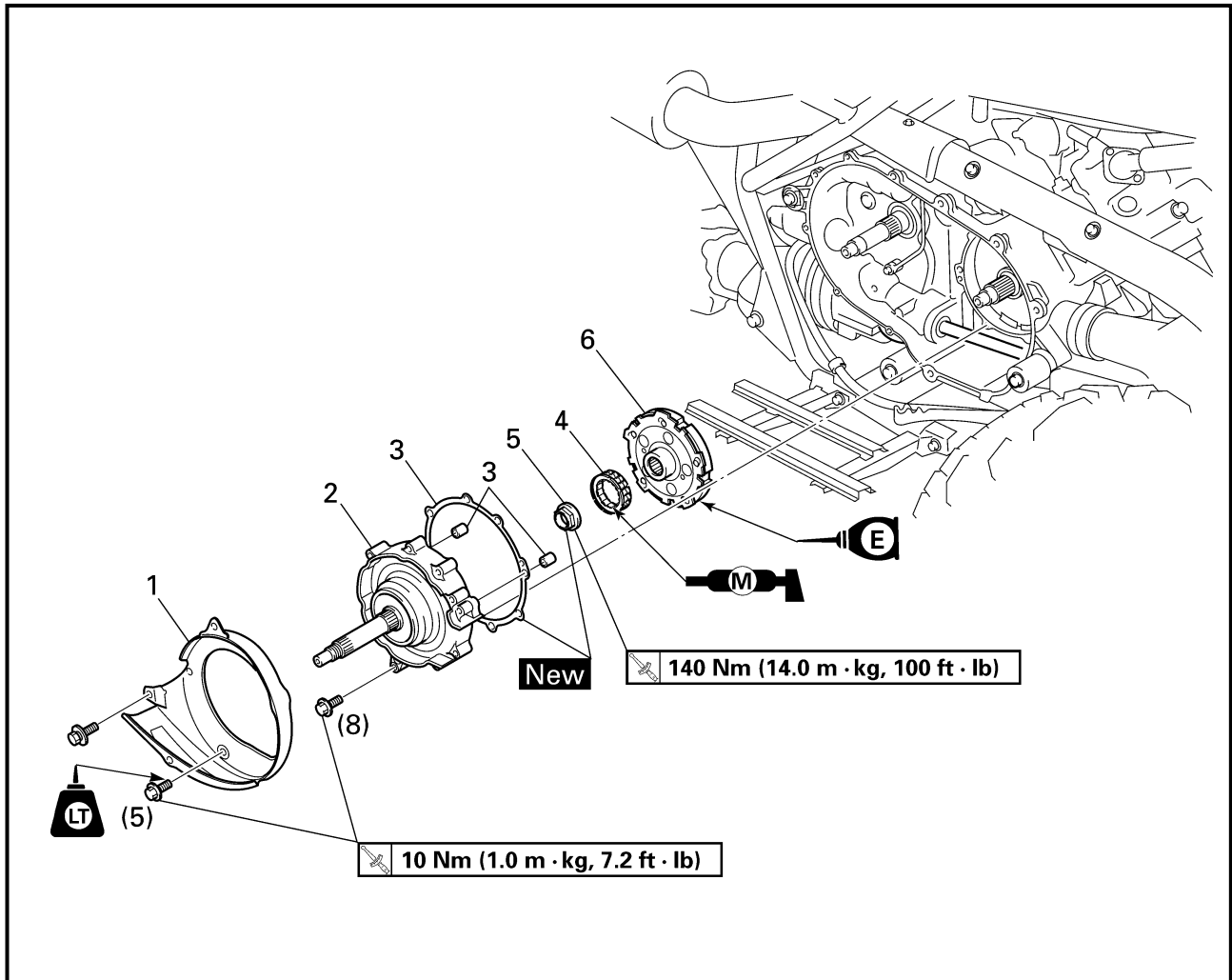




CLUTCH



Order	Job name/Part name	Q'ty	Remarks
	Clutch removal		Remove the parts in the order below. Refer to "PRIMARY AND SECONDARY SHEAVES".
	Primary and secondary sheaves		
1	Cover	1	Refer to "CLUTCH REMOVAL/INSTALLATION".
2	Clutch housing assembly	1	
3	Gasket/dowel pin	1/2	
4	One-way clutch bearing	1	
5	Nut	1	
6	Clutch carrier assembly	1	
			For installation, reverse the removal procedure.