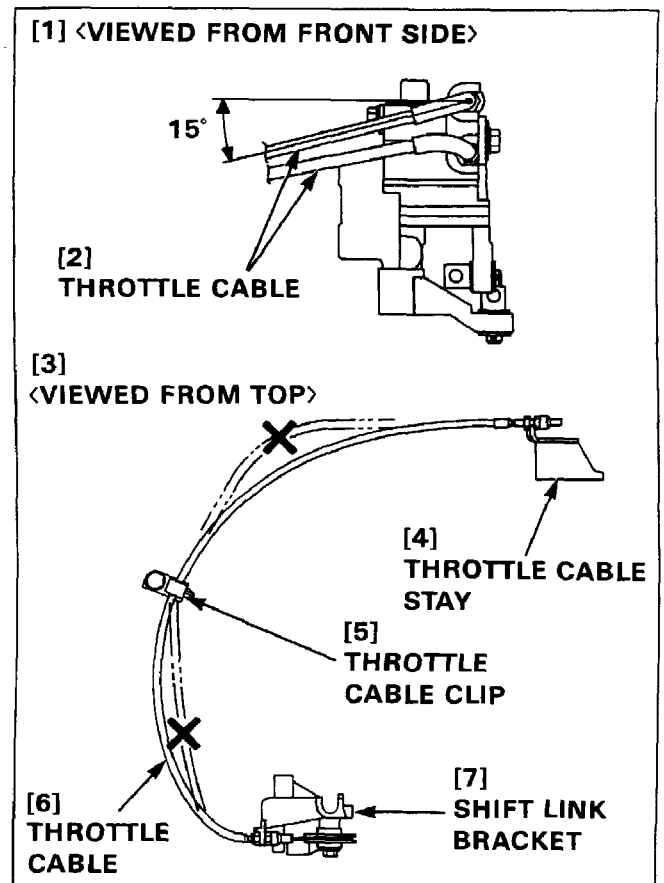


• THROTTLE CABLE

INSTALLATION:

Install the throttle cable with care not to bend it or pull it taut as shown.

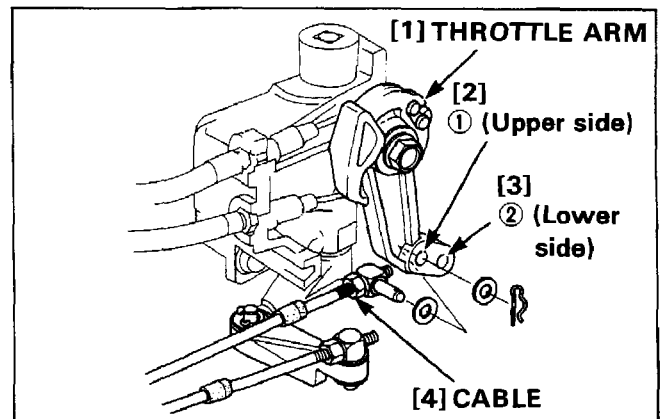


• REMOTE CONTROL CABLE [Throttle side] (Remote control type)/THROTTLE CABLE (Tiller handle type)

INSTALLATION:

Note that the connecting point of the remote control cable (remote control type) or throttle cable (tiller handle type) differs according to the type of the remote control box or tiller handle. Connect the cable properly.

Type	Connecting point
Tiller handle, side-mount remote control box	① (Upper hole)
Panel-mount / single top-mount / dual top-mount remote control box	② (Lower hole)



• REMOTE CONTROL CABLE [Shift side] (Remote control type) / SHIFT CABLE (Tiller handle type)

INSTALLATION:

Pushing the shift link lightly in the same direction as the arrow **A**, align the shift pivot pin with the hole in the shift link, and install the remote control cable / shift cable as shown.

