

1. Upper rubber mount
2. Power tilt cylinder
3. Power trim manifold and piston assemblies
4. Lower rubber mount (one each port and starboard)
5. Water pump
6. Power shift assist cylinder
7. Gearcase lubricant flow
8. Push rod
9. Oil pump
10. Exhaust outlet
11. Wet sleeve water chamber
12. Tuned exhaust megaphone
13. Upper inner exhaust housing
14. Outer exhaust housing
15. Exhaust relief
16. Thermostat (one each port and starboard)

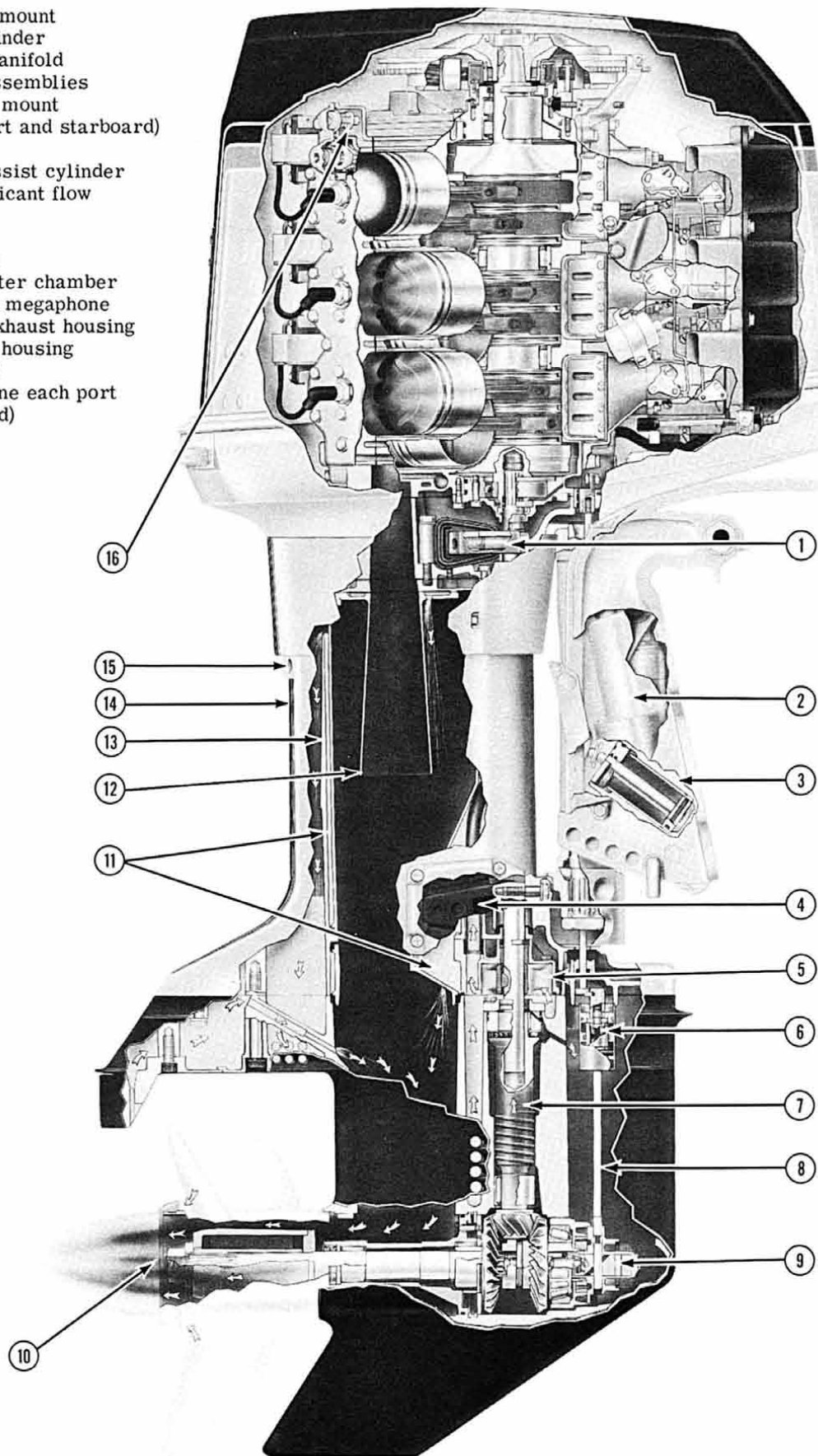


Figure 6-1. Cooling and Exhaust Systems