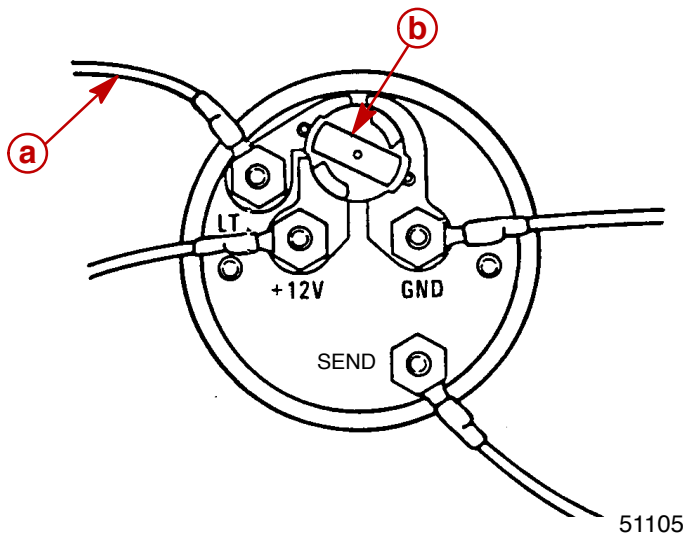




# Engine Synchronizer Wiring Diagram

## LIGHT BULB POSITION A

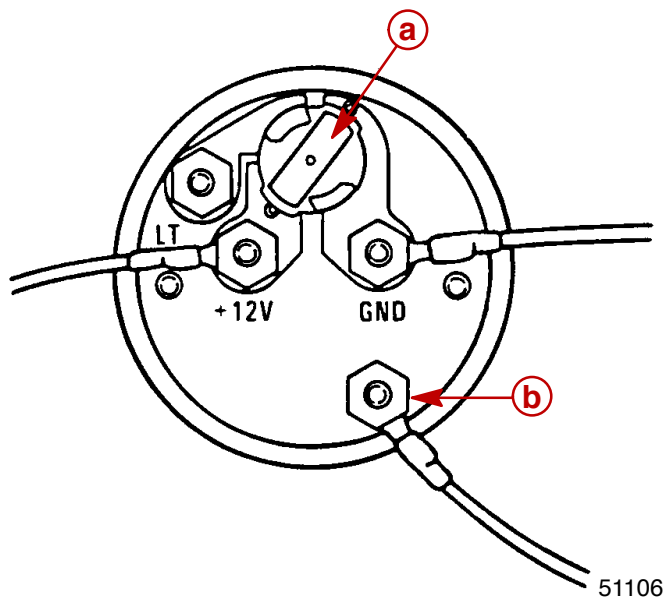
Use this position when using a separate light switch for instrument lighting.



- a** - +12 Volt Light Switch Wire
- b** - Position Light Bulb to the Unswitched Position

## LIGHT BULB POSITION B

Use this position when instrument lighting is wired directly to the ignition key switch. (Instrument lights are on when ignition key switch is turned on.)



- a** - Position Light Bulb to the Switched Position
- b** - Sender