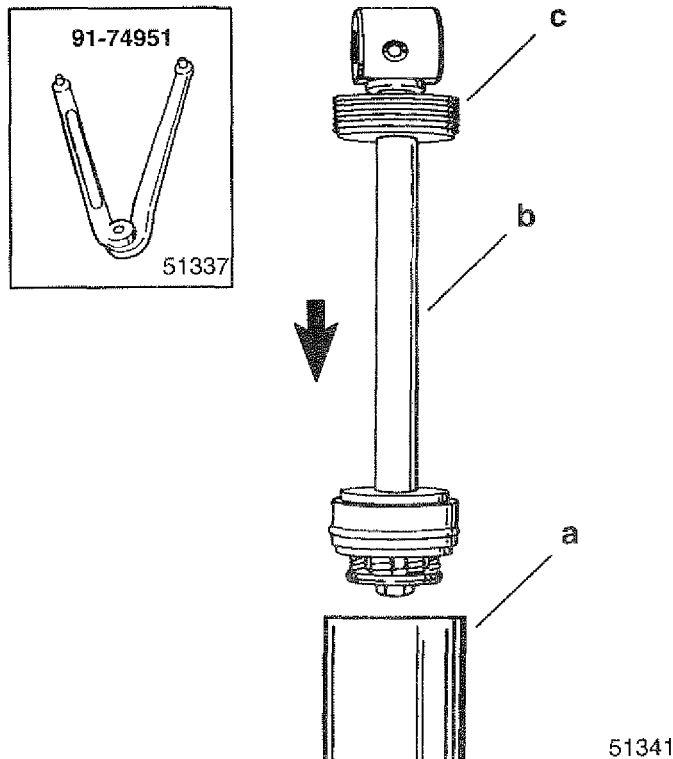


NOTE: Finish filling cylinder with oil before tightening cap.

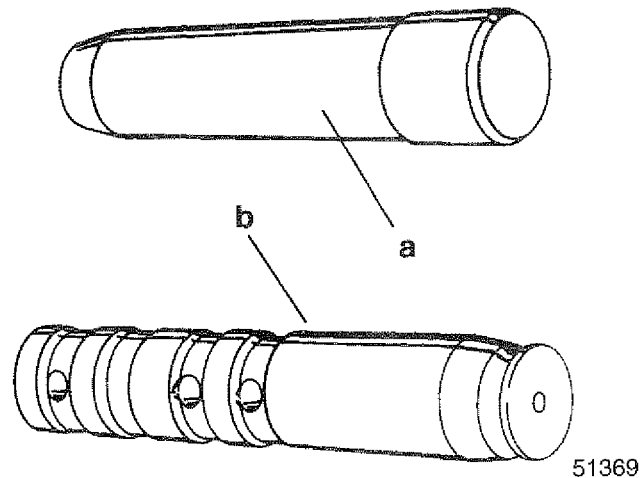
- Lubricate the O-rings on the rod and end cap with Power Trim and Steering Fluid. Clamp cylinder in a soft jawed vise and install tilt rod assembly. Use spanner wrench and tighten end cap securely.



- a - Cylinder
- b - Tilt rod assembly
- c - End cap (Tighten securely.) Use spanner wrench.

TILT RAM ASSEMBLY INSTALLATION

- Lubricate alignment tool (91-11230) and shaft. Use Power Trim and Steering Fluid.



- a - Alignment Tool (91-11230)
- b - Shaft