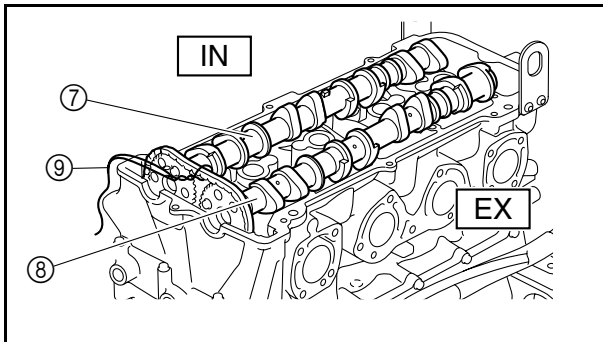


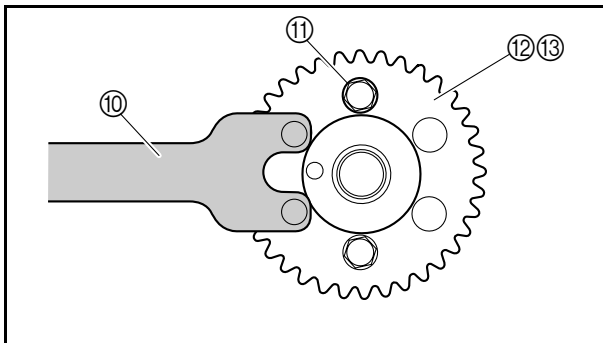
7. Loosen the intake and exhaust camshaft cap bolts in the sequence shown.

**NOTE:** \_\_\_\_\_  
 For reference during installation, put identification marks (d) on the camshaft caps.  
 \_\_\_\_\_




8. Remove the intake camshaft (7) and exhaust camshaft (8).

**NOTE:** \_\_\_\_\_  
 To prevent the timing chain from falling into the crankcase, secure it with a wire (9).  
 \_\_\_\_\_



9. Hold each camshaft sprocket with the special service tool (10), and then loosen the bolts (11).

 **Camshaft wrench (10):**  
 90890-06724

10. Remove the exhaust camshaft sprocket (12) and intake camshaft sprocket (13).  
 \_\_\_\_\_